
Loewe klang

Loewe klang m1



User handbook

LOEWE.

Table of contents	2
Welcome!	3
Delivery specification	3
Safety Instructions	4
Intended Use.....	4
Power supply	4
Installation.....	4
Air circulation.....	4
Sound volume	4
Traffic danger	4
Supervision	4
Cleaning and care.....	4
Connections and operating elements	5
Setting up	6
Charging of the integrated battery.....	6
Switching on	6
Switch off.....	6
Couple audio source via Bluetooth	7
Connect audio source via audio cable	8
Audio playback	8
Hands-free function	9
Jam mode	9
Battery	10
Conformity/Manufacturer's declaration	10
Legal details	10
Disposal	10
Technical data	11

Introduction

Thank you, for choosing a Loewe product! We are happy to have you as a customer.

Loewe stands for the highest standards of technology, design and ease of operation. This applies equally to TV, audio and accessories.

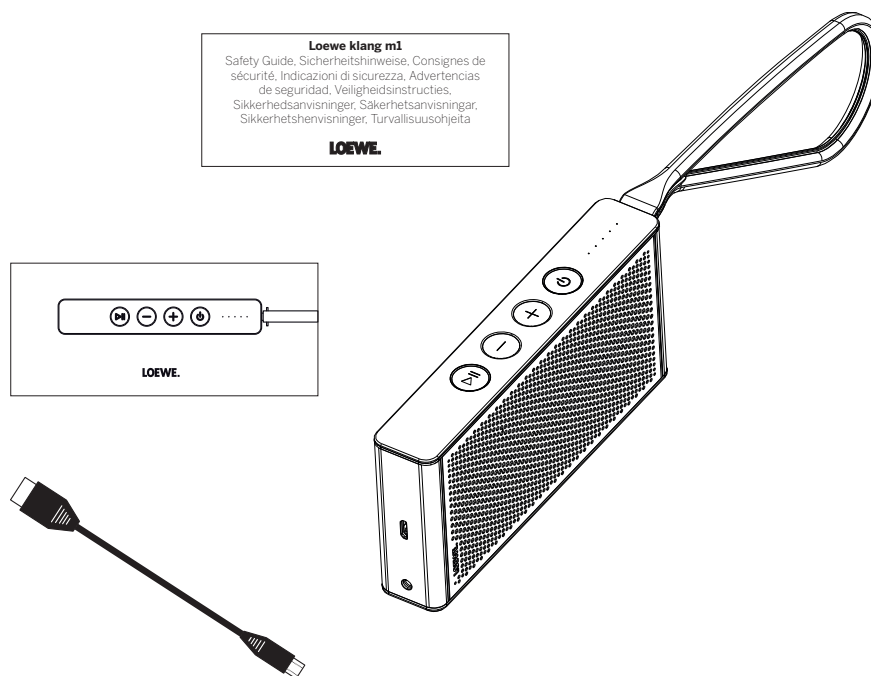
Neither technology nor design is an end in itself, but both are intended to provide our customers with the best possible audio and visual experience.

Our design is not influenced by short-term, fashionable trends. You have, after all, purchased a high-quality piece of equipment which you do not want to tire of tomorrow or the day after.

With the aim of a safe and long-term fault-free use of your Loewe Audio System, before putting the set into operation, please read the chapter on the next page **Safety Instructions**.

Delivery specification

- Loewe klang m1
- USB/micro-USB cable
- Quick Guide
- Safety Guide



Safety Instructions

For your safety, and to avoid unnecessary damage to your unit, please read and follow the safety instructions below:

This device has been built exclusively for private use in domestic environments. Warranty services cover this intended use.

Warning: Do not open the set. There are no parts within the housing that can be repaired by the user. Have repair works done by Loewe specialist dealers only.



Intended Use



The set is intended exclusively for the playback of audio signals, via the standardised Bluetooth interface or audio IN.



Place the set on a flat, non-slip surface to prevent it from falling down or slipping off.

If you wear the Loewe klang m1 with the loop attached, be careful not to hurt anyone.

Candles and other open flames must be kept away from the set at all times, to prevent the spread of fire.



If you've brought the set from the cold into a warm environment, leave it to stand for around an hour due to the formation of condensation. Do not use the loudspeaker until it reaches room temperature. To avoid serious damage to the components.



Protect the set from ...

- Wet, moisture, steam
- Strong impacts and excessive mechanical loads
- Magnetic and electrical fields
- Cold, heat, direct sunlight and strong temperature fluctuations
- Dust
- Interventions inside the set

Power supply



Incorrect voltages can damage the set. This set may only be connected to power supply circuit with a 5V/1A USB adaptor.



Do not operate the set unattended. In the case of prolonged absence, pull out the mains plug or the USB port.

When pulling the charging cable out, do not pull the cable but the plug housing.

In the event of a thunderstorm, unplug the charger cable. Surge voltages caused by lightning can damage the set through the power supply.

Installation



Place the set on a stable, level support.

Do not place the set near strong sources of heat or direct sunshine

Air circulation



When installed in a cabinet or closed shelf: (> 10 cm) leave space around the set, so that the air can circulate unhindered and there is no influence on the sound playback.

Sound volume



Loud music can lead to hearing damage. Do not permanently operate the loudspeaker near your ears.

Avoid extreme sound volume, especially for extended periods of time.

Traffic danger



Traffic safety is very important!

When using a motor vehicle, observe the applicable traffic regulations and the operating instructions of your motor vehicle.

Supervision



Do not let unsupervised children handle the set and do not play immediately around the set.

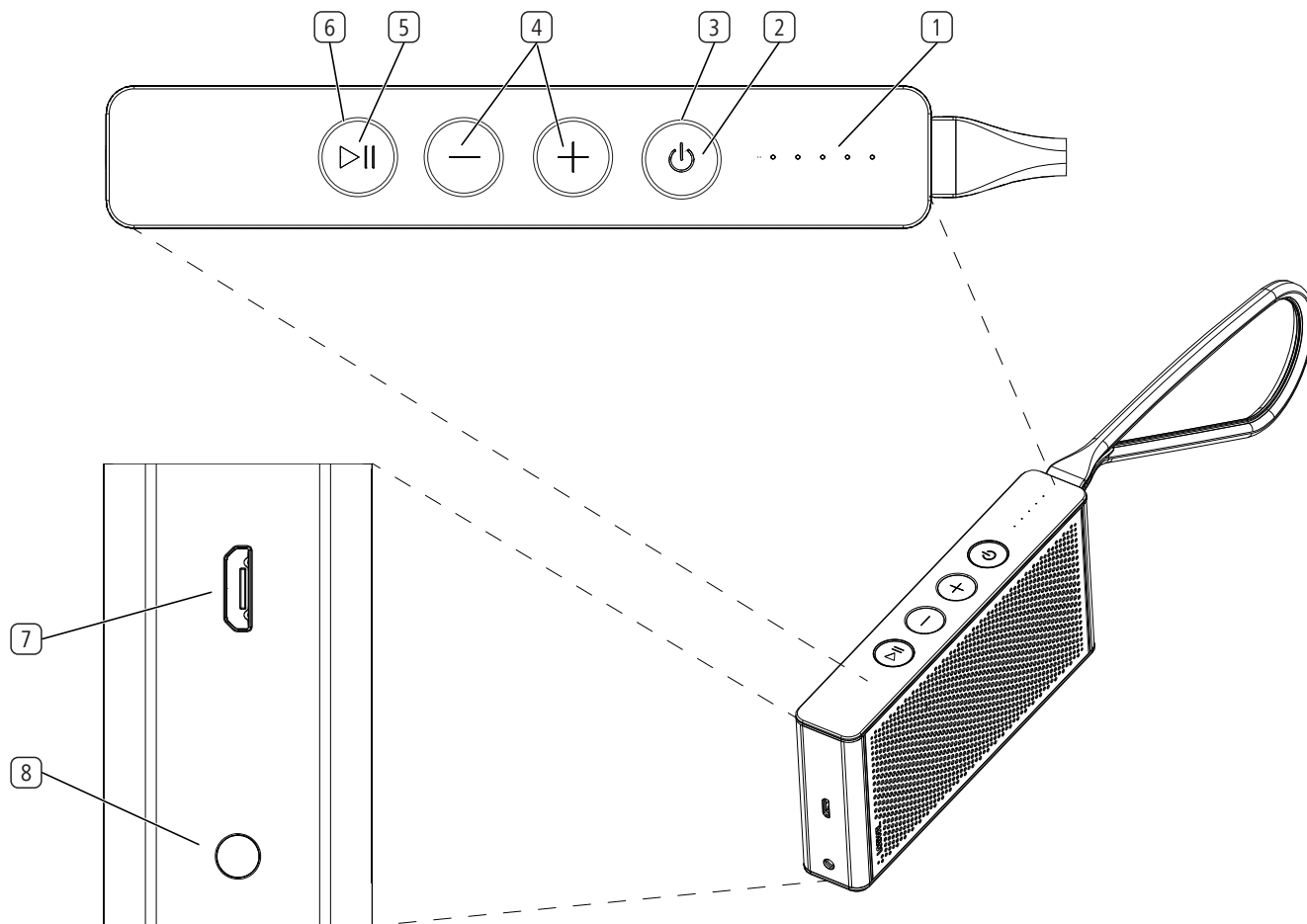
Do not run the set unattended.

Cleaning and care



Disconnect set before cleaning it. Only clean the set with a damp, soft, clean and colour neutral cloth, without any aggressive or scouring cleaning agents.

Connections and operating elements

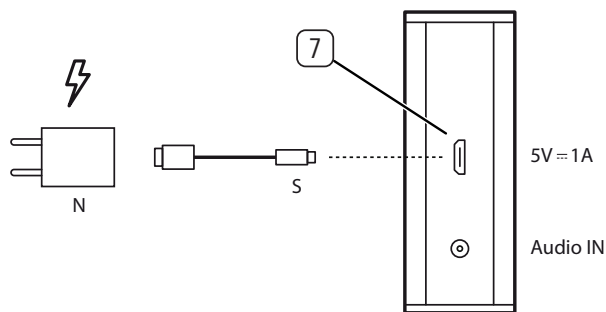


- ① **LED display** – Display of the charging status and the sound volume
- ② **Power button** – Switch on/switch off in the standby mode, reject/ end call, end jam mode
- ③ **LED display** – Display of different statuses of the loudspeakers (power, audio IN, Bluetooth, call, jam mode)
- ④ **-/+ - buttons** – Setting of the sound volume
- ⑤ **Play/pause button** – Answer call and switch off microphone, start Bluetooth pairing, various setting possibilities for music playback (pause, next / previous track)
- ⑥ **LED display** – Display of different statuses of the loudspeakers (power, audio IN, Bluetooth, call, jam mode)
- ⑦ **Micro USB** – Socket for charging of the loudspeaker
- ⑧ **Audio IN** – Audio input 3.5 mm stereo jack

Charging of the integrated battery

- i** Use only a 5V / 1A USB power supply.
- i** The battery is already mounted in the set at the factory. The battery must be charged for approx. 2 hours before first use. With a full battery charge, the Loewe klang m1 is ready for operation for approx. 12 hours.

Insert the plug (S) into the socket ⑦ on the side of the Loewe klang m1. Then insert the USB power supply (N) into a 220-240 V 50/60 Hz plug socket.



The charging status of the battery is indicated via the LED display ①.

- • • * • LED display lights/pulsates green: Set switched on/off, battery is being charged
- • • • • LED display lights green: Set switched on/off, battery fully charged

Switching on



Switch on the Loewe klang m1 with the button ② (> 1 sec.). The LED display ③ lights.

On battery operation, press the button for a short time ②, then the battery capacity will be shown via the LED display.

- • • • • Battery capacity 100% - 80%
- • • • • Battery capacity 80% - 60%
- • • • • Battery capacity 60% - 40%
- • • • • Battery capacity 40% - 20%
- • • • • Battery capacity under 20%
- * • • • • Battery capacity under 10%: The left LED begins to pulsate.

Switch off



Switch the Loewe klang m1 with the button ② (> 1 sec.) into the standby mode.

The LED display ③ goes out.

If no music is played back for 10 minutes, or a key is pressed, the Loewe klang m1 automatically switches into standby mode.

Exception: An audio source is connected via audio cable (audio IN). (Page 8)

Couple audio source via Bluetooth

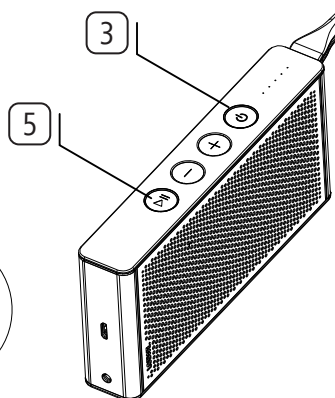
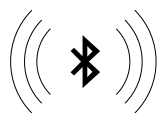
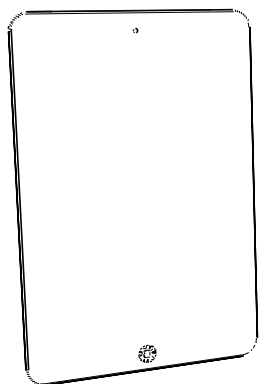
You can couple your Loewe klang m1 cordlessly via Bluetooth with an audio source, for example. Smartphone, Tablet, PC, etc.. The audio sources must support the Bluetooth protocol **A2DP**.

i The distance between your Loewe klang m1 and the audio source cannot amount to more than 10m (visual contact).

i Up to 5 audio sources can be coupled via Bluetooth with the Loewe klang m1. However, only one active connection is possible at the same time.



Press button **5** on the Loewe klang m1 for a long period (> 1 second). You hear a beep, The LED display **3** (power) flashes.



Activate the **Bluetooth function** of your audio source. If necessary, consult the operating instructions of your audio source.

If necessary, press the Bluetooth **search** function of the audio source.

Bluetooth devices are now searched for in the vicinity of the audio source.

Select **Loewe klang m1**.

You hear a beep on connection of the coupling. The LED display **3** lights permanently white. The Loewe klang m1 is now ready for audio playback (Page 8).

i For some audio sources, the connection must be explicitly activated before the music playback occurs on the Loewe klang m1.



On switching off the Loewe klang m1 with the button **2** in the standby mode the coupling is disconnected from the audio source.

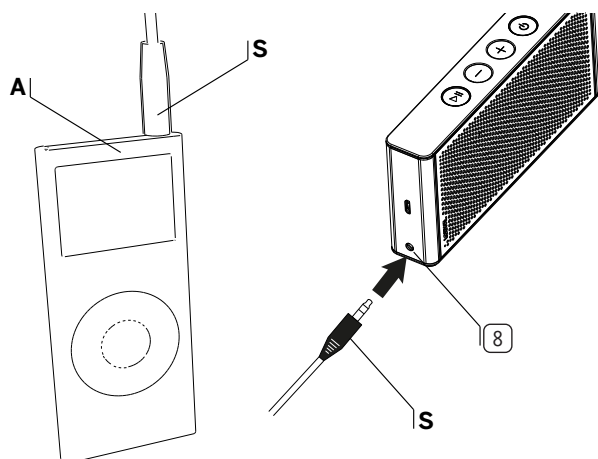
After switching on again with the button **2** the Loewe klang m1 attempts to re-couple the audio source. In this status, the LED display pulsates **3** (power).

After successful coupling, the LED display lights **3** permanently white.

Connect audio source via audio cable

You can couple your Loewe klang m1 via an audio cable with 3.5 mm jack plug (not contained in the scope of delivery) with your audio source, for example, mobile telephone, music player etc..

Connect the analogue stereo output of your audio source (A) with the stereo audio input Audio IN **8** of the Loewe klang m1. Use for this an audio cable (S) with 3.5 mm jack plug.



The audio playback (Page 8) now occurs automatically via the audio cable.

To change back to Bluetooth mode, simply remove the audio cable from the loudspeaker.

Audio playback

I The Loewe klang m1 must be coupled via Bluetooth (Page 7) or connected via audio cable (Page 8) with your audio source and switched on (Page 6) .

I The following sequence applies to playback: Cable-associated playback before hands-free before Bluetooth audio playback. A playback of Bluetooth contents is therefore only possible if neither audio content is played back via audio IN nor the integrated hands-free system is used.

Start the audio playback at your audio source.

I On connection via an audio cable (Page 8) set the volume of your audio source to a high value before playing back the music, and then select the desired sound volume on the Loewe klang m1 to avoid interference noise.

On the playback via Bluetooth press **1x** the button **5** in order to pause playback. Press again to resume the playback.

If you press **2x** on the button **5** the next track is played back. If you press **3x** on the button **5** the previous track is played back.

Set the sound volume on the Loewe klang m1 with the buttons **+/- 4** . The sound volume can be set in 15 steps, which are optically displayed via five LEDs **1** of the LED display.

Every short press on the button **+/- 4** raises or reduces the sound volume by a step. Keep the button **+** or **-** pressed to travel through the sound volume range.

I Loud music can lead to hearing damage. Avoid extreme sound volume near to your ears.

Switch the sound volume on the Loewe klang m1 to mute, whilst pressing **5** the button. The LED display **6** (play) begins to flash.

By pressing the button **5**, the muting is removed. The LED display shows again the original sound volume.

I This is only possible when you play back via an audio cable (audio IN).



Hands-free function

i The Loewe klang m1 must be switched on and be coupled and connected via Bluetooth (Page 7) with your mobile telephone.

On an incoming call, a ring tone sounds. The LED display **6** (play) and **3** (power) blink. In the case of a running audio playback, this is paused.



Accept the incoming call by pressing the button **5** on the Loewe klang m1 or the corresponding button on your mobile telephone.

The LED display **6** (play) and **3** (power) lights.



Set the sound volume on the Loewe klang m1 with the buttons +/- **4** (see also Page 8).



End the call by pressing on the button **2** on the Loewe klang m1 or the corresponding button on your mobile telephone.

i Loud ambient noise interferes with the quality of the hands-free function. Ensure a quiet environment or do not use the hands-free function if the environment is not suitable.

i In order to achieve good speech intelligibility between the call partners, talk only alternately if possible. The distance between the speaker and Loewe klang m1 should be between 0.3 m and 1.2 m.

Jam mode

With the jam mode, it is possible for you to connect two Loewe klang m1 to each other. The playback is now synchronized via both Loewe klang m1.

i A Loewe klang m1 functions hereby as "Master" and a Loewe klang m1 as "Slave".



To connect the two loudspeakers with each other, press at the same time on both Loewe klang m1 the button **5** (play) **> 1 sec..**



Press on one of the pair of Loewe klang m1 the button **5** (play) to select this one as "Master".

Couple via Bluetooth (Page 7) the previously selected "Master"- klang m1 with your mobile telephone.

The audio playback in the jam mode, behaves the same as the normal audio playback (Page 8).



End the jam mode by pressing on the button **2** (power) on the Loewe klang 1.

Battery

The rechargeable batteries are consumables and therefore not covered by the warranty. Customers are **not** allowed to replace defective rechargeable batteries. In case of a defective rechargeable battery please contact your dealer.

CAUTION: Danger of explosion if Li-polymer battery is incorrectly replaced (reverse polarity/short circuit).

Conformity/Manufacturer's declaration



Loewe Technologies hereby declares that this product meets the essential requirements and other relevant provisions of Directive 2014/53/EU and all applicable EU directives.

You can find the complete declaration of conformity in the product selection at:

www.loewe.tv/int/my-loewe

Legal details

Loewe Technologies GmbH
Industriestraße 11
D-96317 Kronach
www.loewe.tv

Printed in Germany
Editorial date 09/17-1.0 PS
© Loewe Technologies GmbH, Kronach

All rights including translation, technical modifications and errors reserved. The graphics used are only exemplary.

Disposal

Packaging and cardboard

The disposal of the packaging is gladly accepted for you by your specialist dealer. If you dispose of the packaging yourself, sort your packaging before disposal and dispose of it in accordance with local disposal regulations. Add cardboard and paper to the waste paper and place the film wrapping in the collection of recyclables. For the disposal of packaging, we have, in accordance to national regulations, paid a fee to authorised recyclers. However, we recommend saving the original box and packaging material so that the set can be transported in a well-protected case, if needed.

The device



Attention: The symbol of the crossed-out waste bin means that the product and the battery cannot be put into the household waste.

You can return your old set and the battery free of charge to designated return locations or your specialist dealer. Additional details about returns (even for non-EU countries) are also available from your local government.

Batteries and Rechargeable Batteries

The integrated battery (Li polymer batter) does not contain any pollutants such as cadmium, lead and mercury. Used rechargeable batteries and batteries should not be disposed of in the household garbage.

Technical data

Item number	56230xxx
Ambient temperature	Min. 5°C/Max. 35°C
Humidity	Max. 80%
Dimensions [W x H x D]	136 mm x 63.5 mm x 23 mm
Weight	0.325 kg
Nominal/music performance (sine/ max.)	2 x 4 W/2 x 8 W
Transmission range (acoustic)	96 Hz – 20 kHz (+/- 6 dB)
Acoustic principle	Closed system
Loudspeaker equipment	2 broadband loudspeakers, 2 passive membranes
Maximum sound pressure	88 dBA
Radio transmission	Bluetooth 2.4 GHz
Bluetooth Profile	v 4.2, A2DP, AVRCP, HFP
Bluetooth range ¹⁾	10 m
Rechargeable batteries	Li polymer, 1850 mAh
Battery running time (72 dBA in 1 m)	up to 12 hours
Battery charging time	max. 2.5 hours
Connections	Audio IN, 3.5 mm stereo jack, power supply 5V/1A, micro-USB
Input sensitivity	500 mV
Signal detection (Line IN)	Yes
easy Bluetooth pairing	Yes
Telephone: Hands-free function	Yes
Echo suppression	Yes
Microphone integrated / speech-opti- mized	Yes/yes
Jam mode (synchronous reproduction with two klang m1)	Yes (L/R)

Battery status display	0/20/40/60/80/100%
Housing material	Stainless steel/plastic
Hand loop/material	Yes/leather
Operation (on the set)	On/off (standby) Sound volume + Sound volume - Play/pause Two-way telephone Bluetooth pairing Battery status query
Display (on the set)	Battery status Sound volume Playback mode ON
Acoustic signal	Charge ON/OFF Connection status Battery less than 20%

¹⁾Maximum range without interfering influences, such as, for example, walls or other devices with radio technology.

(AUS)

Qualifi Pty Ltd
24 Lionel Road
Mt.Waverley VIC 3149 Australia
Tel +61-03-8542 1111
Fax +61-03-9543 3677
E-mail: info@qualifi.com.au

(B NL L)

Loewe Opta Benelux NV/SA
Uilenbaan 84
2160 Wormmelgem, België
Tel +32 - 3 - 2 70 99 30
Fax +32 - 3 - 235 48 37
E-mail: ccc@loewe.be

(CH)

Telion AG
Rütistrasse 26
8952 Schlieren, Schweiz
Tel +41 - 44 732 15 11
Fax +41 - 44 732 15 02
E-mail: infoKD@telion.ch

(CN)

GuoGuang Electric Co., Ltd.
No. 8 Jinghu Road, Xinya St, Huadu Reg.
GZ, PRC
Tel +86-(0)20-22675744
Fax +86-(0)20-22675744
E-mail: service@loewe-chn.com

(CY)

Hadjikyriakos & Sons Ltd.
121 Prodomos Str., P.O Box 21587
1511 Nicosia, Cyprus
Tel +357 - 22 87 21 11
Fax +357 - 22 66 33 91
E-mail: service@hadjikyriakos.com.cy

(CZ)

BaSys CS s.r.o.
Sodomkova 1478/8
10200 Praha 10 - Hostivar,
Česká republika
Tel +420 234 706 700
Fax +420 234 706 701
E-mail: office@basys.cz

(D A)

Loewe Technologies GmbH,
Customer Care Center
Industriestraße 11
96317 Kronach, Deutschland
Tel +49 9261 99-500
Fax +49 9261 99-515
E-mail: ccc@loewe.de
www.loewe-friends.de

(DK)

EET Europarts
Loewe Denmark
Bregnerødvej 133 D
3460 Birkerød, Denmark
Tel +45 45 82 19 19
E-mail: info@eeteuroparts.dk

(E)

Gaplasa S.A.
Conde de Torroja, 25
28022 Madrid, España
Tel +34 - 917 48 29 60
Fax +34 - 913 29 16 75
E-mail: loewe@maygap.com

(F)

Loewe France SAS
Rue du Dépôt,
13 Parc de l'Europe, BP 10010
67014 Strasbourg Cédex, France
Tel +33 - 3 - 88 79 72 50
Fax +33 - 3 - 88 79 72 59
E-mail: loewe.france@loewe-fr.com

(FIN)

EET Europarts
Loewe Finland
Metsänneidonkuja 12
02130 Espoo, Finland
Tel +358 9 47 850 900
www.eeteuroparts.fi

(GB IRL)

Loewe UK Ltd
PO Box 220
Eastbourne
BN24 9GQ
UK
Tel +44 (0)333 123 0220
E-mail: enquiries@loewe-uk.com

(GR RO AL)

Issagogiki Emboriki Elliados S.A.
321 Mesogion Av.
152 31 Chalandri-Athens, Hellas
Tel +30 - 210 672 12 00
Fax +30 - 210 674 02 04
E-mail: christina_argyropoulou@isembel.gr

(HR)

Plug&Play Ltd.
Bednjanska 8, 10000 Zagreb
Hrvatska (Kroatia)
Tel +385 1 4929 683
Fax +385 1 4929 682
E-mail: info@loewe.hr

(I)

Loewe Italiana S.r.L.
Via Monte Baldo 14/P
37069 Dossobuono di Villafranca
di Verona
Tel +39 - 045 82 51 690
Fax +39 - 045 82 51 622
E-mail: info@loewe.it

(IL)

T. R. Electro Stereo Ltd.
Yad Harutzim 9
6770002 Tel Aviv
Israel
Tel +972 - 3 - 6091100
Fax +972 - 3 - 6092200
E-Mail: info@loewe.co.il

(IND)

Nonplus Ultra Home Automation Pvt Ltd
First Floor, No. 615, Second Main Road
Indiranagar Stage I, Indiranagar
Bangalore 560038
India
Tel +91 80 41114599
E-mail: jimmy@nplusultra.in

(IR)

Pars Royal Taramesh
LOEWE
#18 Elahiye St. bidar AVE.
Unit #1
Postal code : 1965915651
Tehran, Iran
Tel +98 21-22010298
E-Mail: info@tarameshgroup.com

(JOR)

ACCU-TECH Solutions Co.
1-Kharjia Al-Ashja'i Street
Jabal Al-Weibdeh
P.O.Box 9668 Amman 11191, Jordan
Tel: +962-6-465-9985
Fax: +962-6-465-0119
E-Mail: info@accutech-solutions.net

(KSA)

LOEWE Show Room
Olaya Street,
Near Kingdom Center Riyadh,
Saudi Arabia
P.O Box 92831, Riyadh 11663
Tel + 966-11-4640927
Fax +966-11-4640759
Email: hagop@sas-se.com
Mr. Hagop Julmekian

(LV EST)

Dominterior SIA
A.Čaka iela 80
Riga, LV-1011, Latvia
Tel +3 71 - 67 29 29 59
Fax +3 71 - 67 31 05 68
E-Mail: konstantin.golubev@loewe.lv

(LT)

A Cappella Ltd.
Ausros Vartu 5, Pasazo skg.
01129 Vilnius, Lithuania
Tel +370 - 52 12 22 96
Fax +370 - 52 62 66 81
E-mail: info@loewe.lt

(N)

EET Europarts AS
Olaf Helsetsvvei 6 (Vekstsenteret)
0694 Oslo, Norge
Tel +47 - 22919500
E-mail: salg@eeteuroparts.no

(P)

Gaplasa S.A.
Parque Suécia
Avda. do Forte, 3
Edifício Suécia I piso 1-2.07
2790-073 CARNAXIDE, Portugal
Tel +351 - 21 942 78 30
Fax +351 - 21 940 00 78
E-mail: geral.loewe@mayro.pt

(PL)

3LOGIC Sp.z o.o.
ul. Zakopiańska 153
30-435 Kraków
Tel +48 - 12 640 20 00
Fax +48 - 12 640 20 01
www.3logic.pl

(RI)

V2 Indonesia
5th Intiland tower
Jl. Jenderal Sudirman 32
Jakarta 10220, INDONESIA
Tel +62-21-57853547
E-mail: service@v2indonesia.com

(RL)

I Control SAL
Gemmaizeh, Rmeil.
Building 328 1st Floor Beirut,
Lebanon
Tel +961 1 446777 / 1 587446
Fax +961 1 582446
E-mail: info@icontrol-leb.com

(RUS)

Service Center Loewe
Aptekarsky per.4 podjezd 5A
105005 Moscow, Russia
Tel +7 - 499 940 42 32 (ext. 454)
Fax +7 - 495 730 78 01
E-mail: service@loewe-cis.ru

(S)

EET Europarts AB
Loewe Sweden
Box 4124
SE-131 04, Nacka, Sverige
Tel +46 - 8 507 510 00
E-mail: Kundservice@eeteuroparts.se

(SGP)

Atlas Care Centre
11 changi south street 3
#03-01 builders centre
Singapore 486122
Tel +65 - 6745 2028
Fax +65 - 6546 7861
E-mail: service@atlas-sv.com

(TR)

ENKAY GROUP
SERVISPLUS MUSTERI HIZMETLERI
Alemdag Cad. Site Yolu No:18
Umraniye, Istanbul, TÜRKIYE
Tel 444 4 784
E-mail: info@servisplus.com.tr

(ZA)

Volco Enterprise Close Corporation
Unit 8
7 on Mastiff (Road)
Longlake Ext 1, Lingbro Business
Park
2165 Johannesburg
Tel +27 11 608 1228
Fax +27 11 608 1740
E-mail: service@volco.co.za

LOEWE.